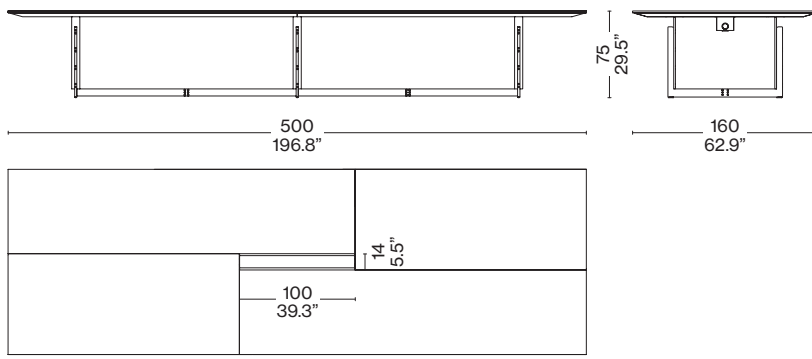
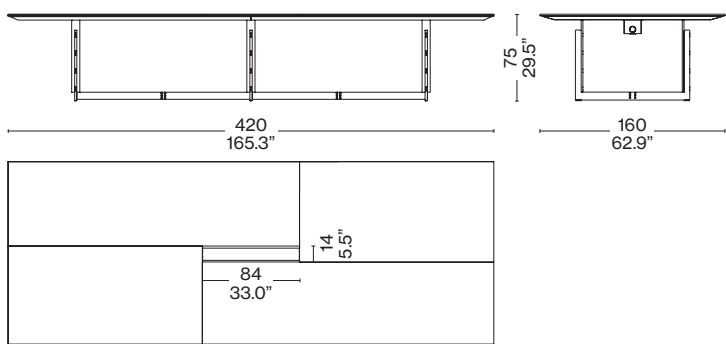


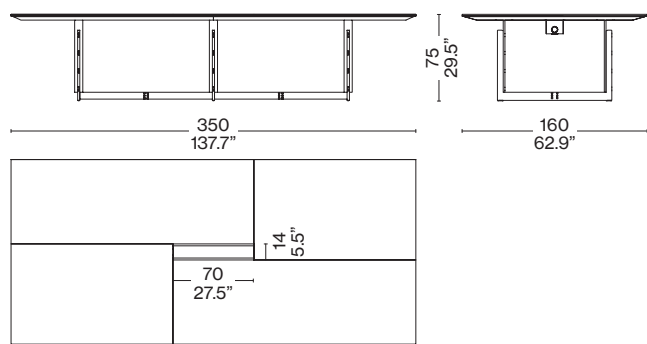
W02 31



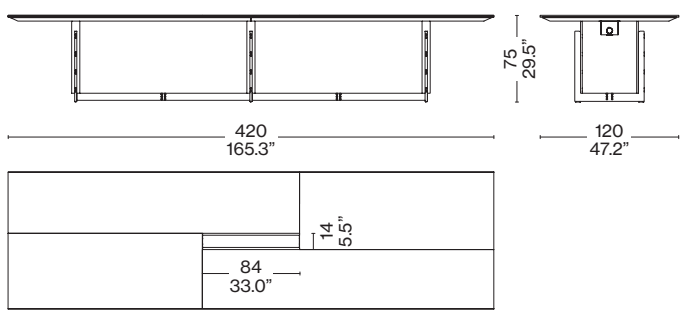
W02 32



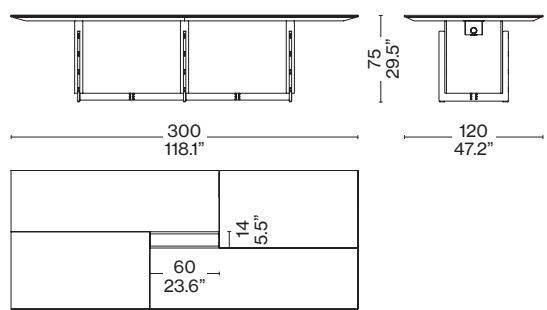
W02 33



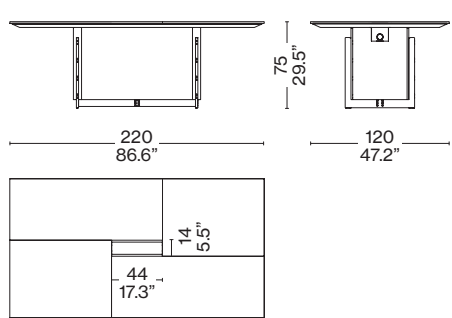
W02 34



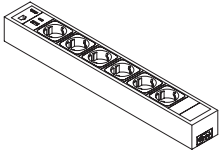
W02 35



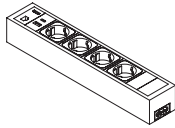
W02 36



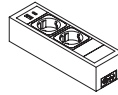
W02 31-34 Wiring



W02 35 Wiring



W02 36 Basic wiring



W02 36 Multimedia wiring

